

LED strip

IP20 2216 Lightbar Series

DATASHEET

EDISON OPTO concentrates on producing market-oriented professional strips for overall indoor, outdoor applications and commercial projects. Bearing a mind of creation and development, Edison Opto spares efforts on creating customized strips to fulfill different needs on special occasions.



Features

- High lumen and high CRI to reveal real object status.
- Tiny dimension design for different narrow space lighting applications.
- Safe voltage 24V input.

Applications

- Suitable to use in cabinet lighting
- back lighting.

Table of Contents

Ordering Code Format.....	2
Product Code Information.....	3
Technical Data.....	4
Energy Efficiency Index	4
Electric-Optical Characteristics.....	5
Mechanical Dimension.....	7
Electrical Wiring Diagram.....	10
Mounting on Surface.....	11
Do's and Don'ts	11
Product Packaging Information.....	12
Precaution for Use.....	13
Environmental Compliance	14
Datasheet History	14
About EDISON OPTO.....	15

General Information

Ordering Code Format

<u>6</u>	<u>L B R 1</u>	<u>XX</u>	<u>X</u>	<u>X 0</u>	<u>X</u>	<u>XXX</u>	<u>XX</u>				
X1	X2	X3	X4	X5	X6	X7	X8				
6	Led Strip	LBR1	IP20	27 30 40 60	2700K 3000K 4000K 6000K	J	24V	E0	5M	B	2216

X7		X8
Number of LEDs(M)		Serial No
070	70pcs	XX
140	140pcs	
240	240	
280	280	
350	350	

Product Code Information

Part No.	Description
6LBR1WWJE0B07003	B350_2700K_IP20_24V_70D_CRI90_5M_4mm
6LBR1WWJE0B07003	B350_3000K_IP20_24V_70D_CRI90_5M_4mm
6LBR1NWJE0B07003	B350_4000K_IP20_24V_70D_CRI90_5M_4mm
6LBR1CWJE0B07003	B350_6000K_IP20_24V_70D_CRI90_5M_4mm
6LBR1WWJE0B07001	B350_2700K_IP20_24V_70D_CRI90_5M_8mm
6LBR1WWJE0B07001	B350_3000K_IP20_24V_70D_CRI90_5M_8mm
6LBR1NWJE0B07001	B350_4000K_IP20_24V_70D_CRI90_5M_8mm
6LBR1CWJE0B07001	B350_6000K_IP20_24V_70D_CRI90_5M_8mm
6LBR1WWJE0B14003	B700_2700K_IP20_24V_140D_CRI90_5M_4mm
6LBR1WWJE0B14003	B700_3000K_IP20_24V_140D_CRI90_5M_4mm
6LBR1NWJE0B14003	B700_4000K_IP20_24V_140D_CRI90_5M_4mm
6LBR1CWJE0B14003	B700_6000K_IP20_24V_140D_CRI90_5M_4mm
6LBR1WWJE0B14001	B700_2700K_IP20_24V_140D_CRI90_5M_8mm
6LBR1WWJE0B14001	B700_3000K_IP20_24V_140D_CRI90_5M_8mm
6LBR1NWJE0B14001	B700_4000K_IP20_24V_140D_CRI90_5M_8mm
6LBR1CWJE0B14001	B700_6000K_IP20_24V_140D_CRI90_5M_8mm
6LBR1M6JE0B14002	B700_2700K+6000K_IP20_24V_280D_CRI90_5M_5mm
6LBR1WWJE0B24001	B1200_2700K_IP20_24V_240D_CRI90_5M_4mm
6LBR1WWJE0B24001	B1200_3000K_IP20_24V_240D_CRI90_5M_4mm
6LBR1NWJE0B24001	B1200_4000K_IP20_24V_240D_CRI90_5M_4mm
6LBR1CWJE0B24001	B1200_6000K_IP20_24V_240D_CRI90_5M_4mm
6LBR1WWJE0B35001	B1750_2700K_IP20_24V_350D_CRI90_5M_10mm
6LBR1WWJE0B35001	B1750_3000K_IP20_24V_350D_CRI90_5M_10mm
6LBR1NWJE0B35001	B1750_4000K_IP20_24V_350D_CRI90_5M_10mm
6LBR1CWJE0B35001	B1750_6000K_IP20_24V_350D_CRI90_5M_10mm

Technical Data

Parameter	Value	Unit
Beam angle	120	Degree
Ambient temperature range	-25~ +45	°C
Tc temperature (Max)	75	°C
Storage temperature range	-35~ +60	°C
Type of protection	IP20	
Color Temperature	2700K-6500K	
Risk group(EN62778)	1	

Energy Efficiency Index

Type	CCT(K)	*Level
2216-24V-70LED/M Series	2700/3000	F
	4000/6000	F
2216-24V-140LED/M Series	2700/3000	F
	4000/6000	F
2216-24V-240LED/M Series	2700/3000	G
	4000/6000	G
2110-24V-350LED/M Series	2700	G
	3000/4000/6000	F
2216-24V-280LED/M Dual color	6000	F

Electric-Optical Characteristics

2216-24V-70LEDS/M Series (PCB Width 4mm)

Part NO.	CCT (K)	Voltage (V)	Lumen (Lm/M)	Efficacy (Lm/W)	Power (W/M)	CRI(Ra)
6LBR1WWJE0B07003	2700	24	509	106	4.8	> 90
6LBR1WWJE0B07003	3000	24	511	106	4.8	> 90
6LBR1NWJE0B07003	4000	24	528	110	4.8	> 90
6LBR1CWJE0B07003	6000	24	539	112	4.8	> 90

2216-24V-70LEDS/M Series (PCB Width 8mm)

Part NO.	CCT (K)	Voltage (V)	Lumen (Lm/M)	Efficacy (Lm/W)	Power (W/M)	CRI(Ra)
6LBR1WWJE0B07001	2700	24	509	106	4.8	> 90
6LBR1WWJE0B07001	3000	24	511	106	4.8	> 90
6LBR1NWJE0B07001	4000	24	528	110	4.8	> 90
6LBR1CWJE0B07001	6000	24	539	112	4.8	> 90

2216-24V-140LEDS/M Series (PCB Width 4mm)

Part NO.	CCT (K)	Voltage (V)	Lumen (Lm/M)	Efficacy (Lm/W)	Power (W/M)	CRI(Ra)
6LBR1WWJE0B14003	2700	24	960	100	9.6	> 90
6LBR1WWJE0B14003	3000	24	1003	104	9.6	> 90
6LBR1NWJE0B14003	4000	24	1056	110	9.6	> 90
6LBR1CWJE0B14003	6000	24	1078	112	9.6	> 90

2216-24V-140LEDS/M Series (PCB Width 8mm)

Part NO.	CCT (K)	Voltage (V)	Lumen (Lm/M)	Efficacy (Lm/W)	Power (W/M)	CRI(Ra)
6LBR1WWJE0B14001	2700	24	960	100	9.6	> 90
6LBR1WWJE0B14001	3000	24	1003	104	9.6	> 90
6LBR1NWJE0B14001	4000	24	1056	110	9.6	> 90
6LBR1CWJE0B14001	6000	24	1078	112	9.6	> 90

2216-24V-240LEDS/M Series (PCB Width 4mm)

Part NO.	CCT (K)	Voltage (V)	Lumen (Lm/M)	Efficacy (Lm/W)	Power (W/M)	CRI(Ra)
6LBR1WWJE0B24001	2700	24	1520	79	19.2	> 90
6LBR1WWJE0B24001	3000	24	1584	82	19.2	> 90
6LBRINWJE0B24001	4000	24	1625	85	19.2	> 90
6LBR1CWJE0B24001	6000	24	1666	87	19.2	> 90

2216-24V-350LEDS/M Series (PCB Width 10mm)

Part NO.	CCT (K)	Voltage (V)	Lumen (Lm/M)	Efficacy (Lm/W)	Power (W/M)	CRI(Ra)
6LBR1WWJE0B35001	2700	24	2618	91	28.8	> 90
6LBR1WWJE0B35001	3000	24	2706	94	28.8	> 90
6LBRINWJE0B35001	4000	24	2882	100	28.8	> 90
6LBR1CWJE0B35001	6000	24	3069	107	28.8	> 90

2216-24V-280LEDS/M Dual color (PCB Width 5mm)

Part NO.	CCT (K)	Voltage (V)	Lumen (Lm/M)	Efficacy (Lm/W)	Power (W/M)	CRI(Ra)
6LBR1M6JE0B14002	2700	24	990	110	9.0	> 90
	6000	24	1080	120	9.0	> 90

Note:

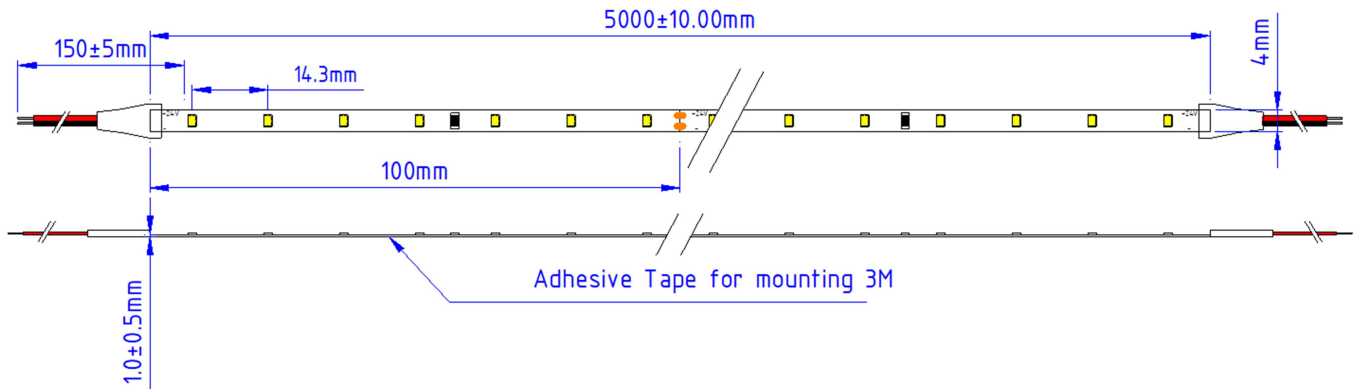
The maximum and minimum lumen flux are based on -10%/+20% of the typical rating.

The maximum and minimum Power are based on -10%/+10% of the typical rating.

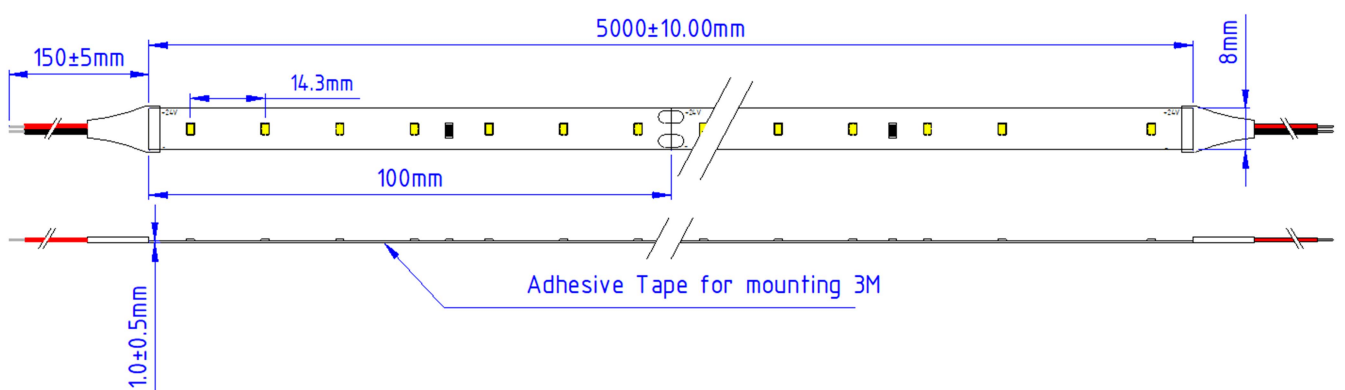
Led color region stay within CCT $\pm 7\%$

Mechanical Dimension

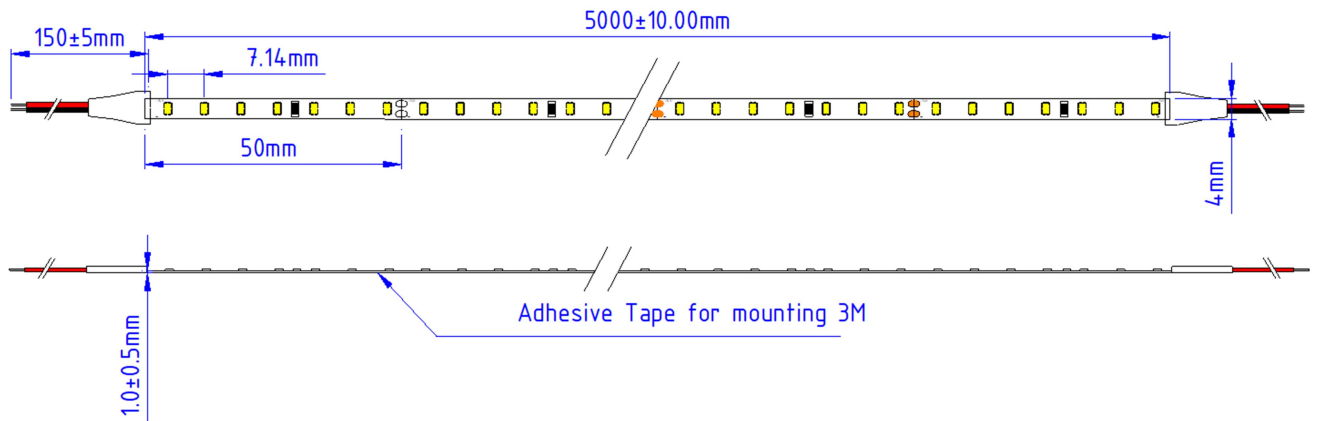
2216-70LEDs/M-4mm Series Dimensions (CV 24V IP20)



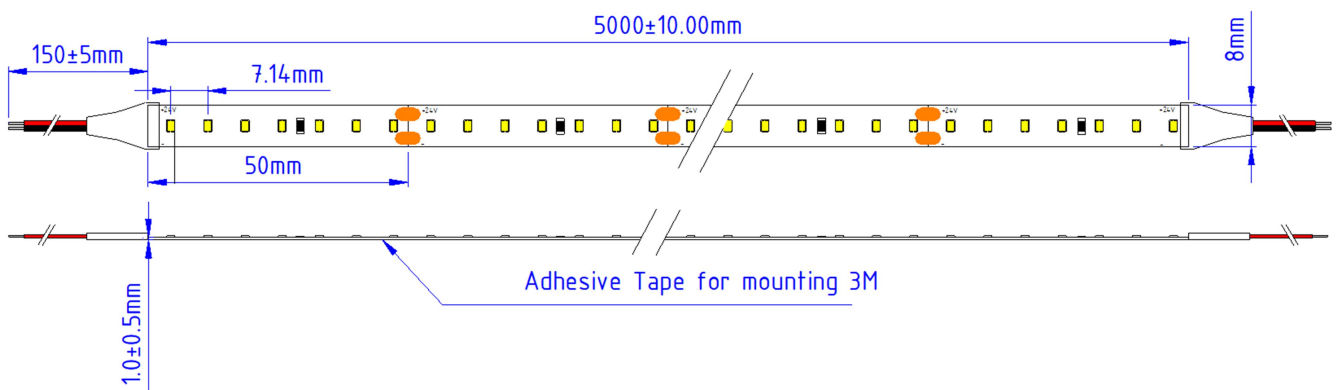
2216-70LEDs/M-8mm Series Dimensions (CV 24V IP20)



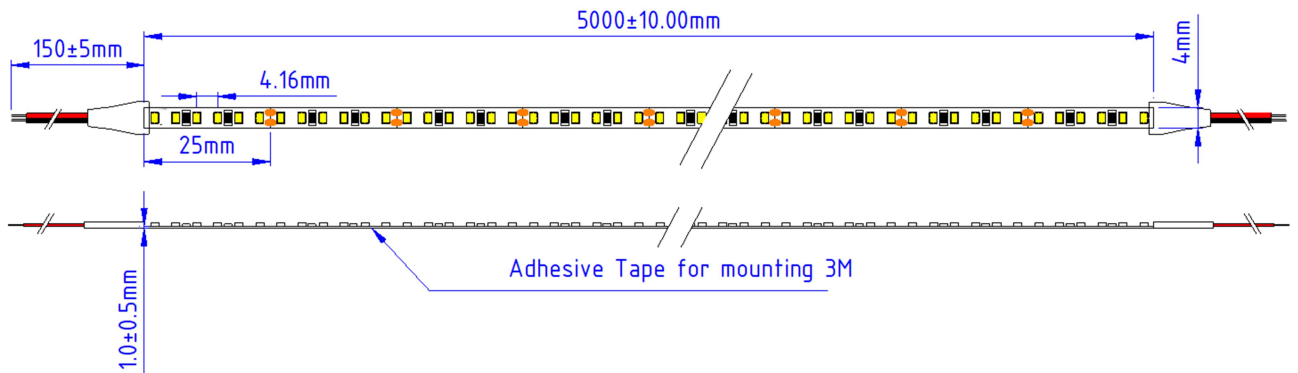
2216-140LEDs/M-4mm Series Dimensions (CV 24V IP20)



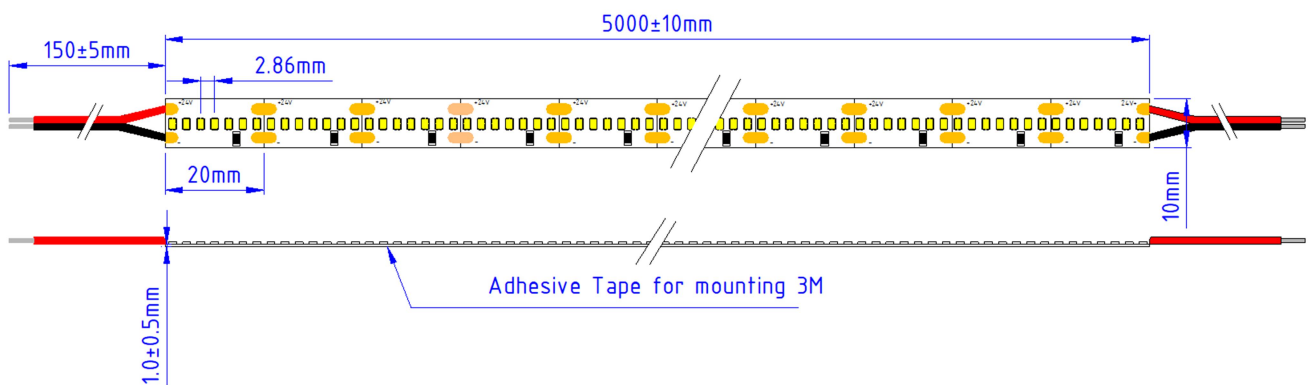
2216-140LEDs/M-8mm Series Dimensions (CV 24V IP20)



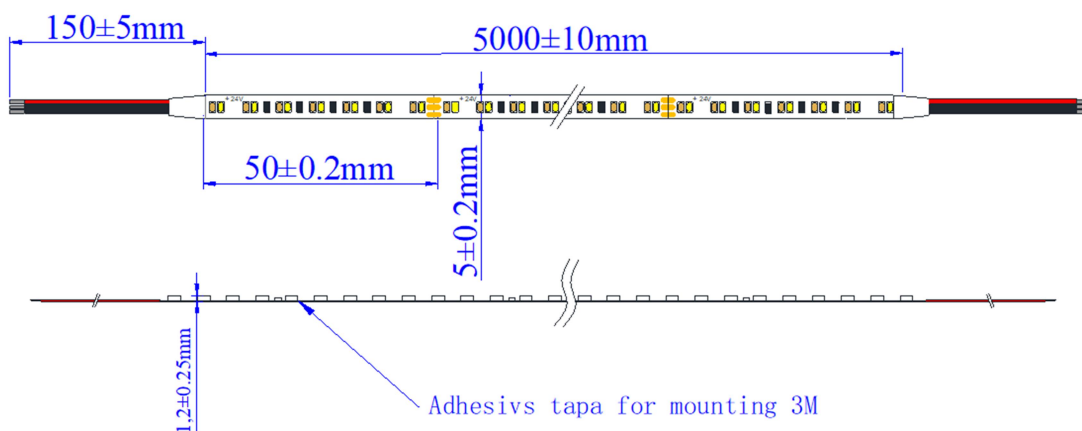
2216-240LEDs/M-4mm Series Dimensions (CV 24V IP20)



2216-350LEDs/M-10mm Series Dimensions (CV 24V IP20)



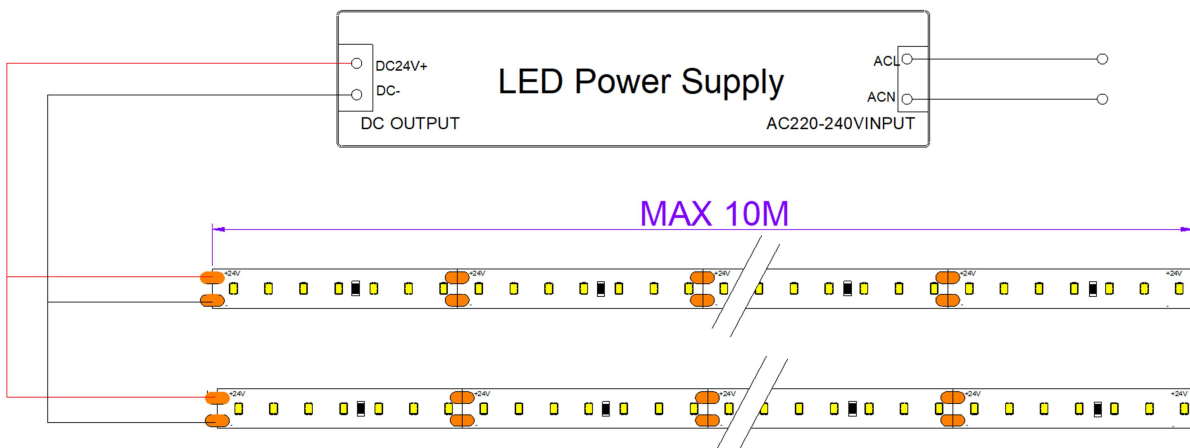
2216-280LEDs/M-5mm Dual color Series Dimensions (CV 24V IP20)



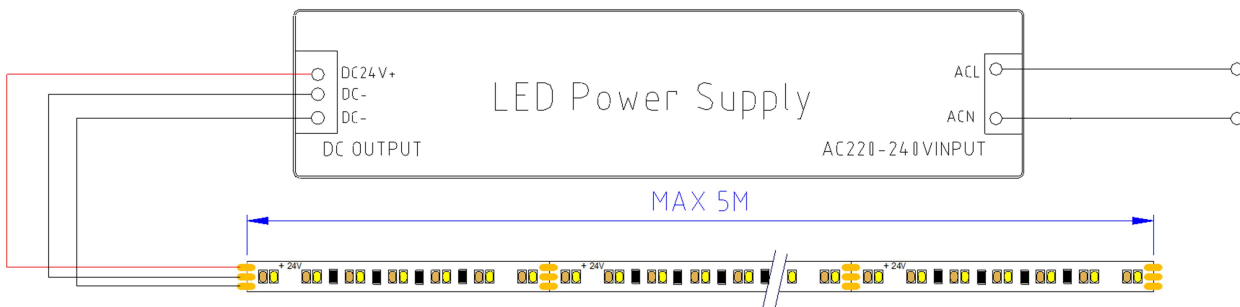
NOTE:
All dimension unit in mm

Electrical Wiring Diagram

Signal color



Dual color



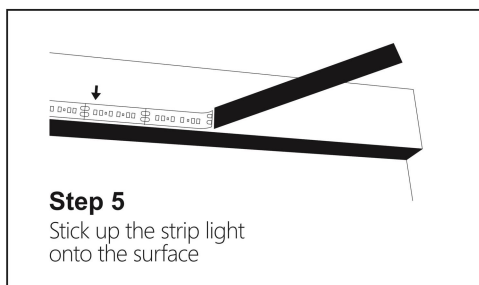
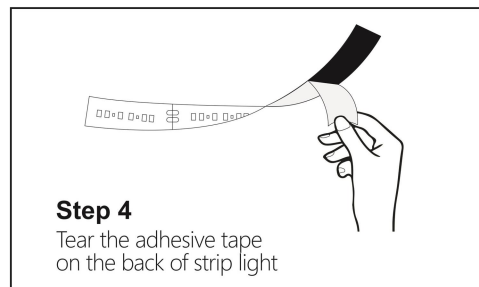
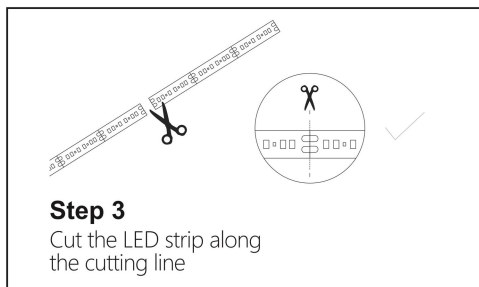
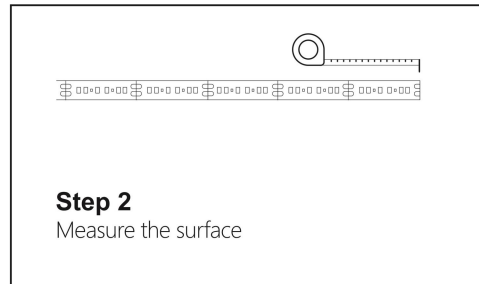
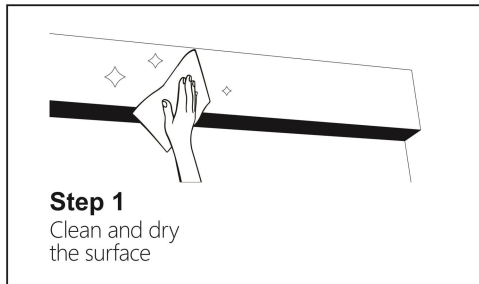
Note :

Input voltage: 24V DC, constant voltage power supply.

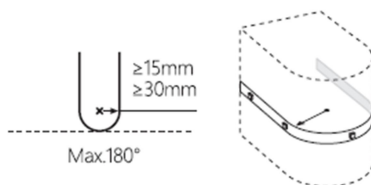
Use only with Class 2 power unit.

Power supply every 5M using constant voltage power supply, it is recommended that the power should not exceed 80% of the rated power.

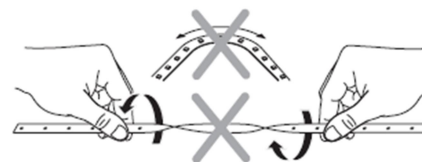
Mounting on Surface



Do's and Don'ts



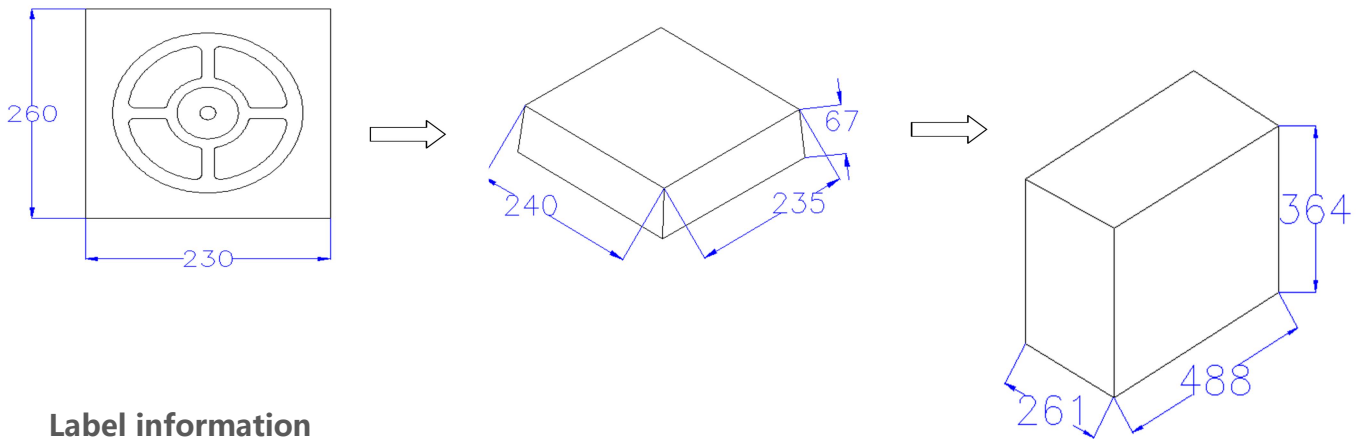
IP20
Flexible bending Max. 180 degree, Min. radius 15mm



Do not twist the strip

Product Packaging Information

Type	Outside Carton Size(mm)	Qty./carton
6LBR1XXJE0BXXXXX	488x261x364	40



Label information



Number	Item	Remark
①	PN	Model Number(Refer to page 2)
②	Spec	IP level + Voltage + Power
③	Color	CCT+RA
④	QTY	The number of packing
⑤	Serial No	Manufacturing Order
⑥	QR Code	Including PN/ Qty./Serial No.

Precaution for Use

1. Use only with constant voltage power supply.
2. Use only with Class 2 power unit.
3. Power supply every 5M using constant voltage power supply, it is recommended that the power should not exceed 80% of the rated power.
4. DO NOT use the products with materials containing Sulfur.
5. DO NOT assemble in humid environment or the conditions of containing oxidizing gas such as C1, H₂S, NH₃, SO₂, NO_x, etc.
6. DO NOT add or change wires while the circuit of Module is active. Long time exposure to sunlight or UV should be avoided.
7. DO NOT press the product; even a slight pressure may damage the product. The environments such as high temperatures, high humidity or direct expose to sunlight should be avoided since the product is sensitive to these conditions.
8. Assembly must not damage or destroy conducting paths on the circuit board.

Environmental Compliance

LED strip series are compliant to the Restriction of Hazardous Substances Directive or RoHS. The restricted materials including lead, mercury cadmium hexavalent chromium, Polybrominated Biphenyls (PBB) and Polybrominated Diphenyl Ethers (PBDE) are not used in strip series to provide an environmentally friendly product to the customers.

Datasheet History

Versions	Description	Release Date
1	Preliminary	2023/05/09
2	Revise the format	2025/5/20

About EDISON OPTO

Edison Opto provides comprehensive LED and solid-state lighting products from LED Component, Light Module, UV / IR LED, LED sensing, Horticulture and Automotive Lighting. With a view to improve R&D process, Edison Opto develops the vertical platform on TEMOTM (Thermal. Electrical. Mechanical. Optical) to ensure the quality of products and services; Furthermore, Edison Opto creates LDMSTM (LED Design Manufacturing Service) from light source to luminaire manufacturing, to serve our customers a quality experience of customized solutions.

Headquarters

17F., No. 17, Qiaohe Rd., Zhonghe Dist.,
New Taipei City 235029, Taiwan

Taipei Factory

5F., NO. 800, Zhongzheng Rd., Zhonghe Dist.,
New Taipei City, 235015, Taiwan

Yangzhou Edison Opto Corporation

NO. 101, Hua-Yang West Rd.,
Yangzhou City 225009, Jiangsu Province, China

Edison Opto(Dong Guan) Co., Ltd

B16, No.9, Xiju Rd., Xi-Cheng Industrial Park,
Heng-li, DongGuan City 523460, GuangDong Province, China

www.edison-opto.com

Copyright © 2025 Edison Opto Corporation. All right reserved.
The information in this document is subject to change without notice

Rev.2



[Learn more](#)